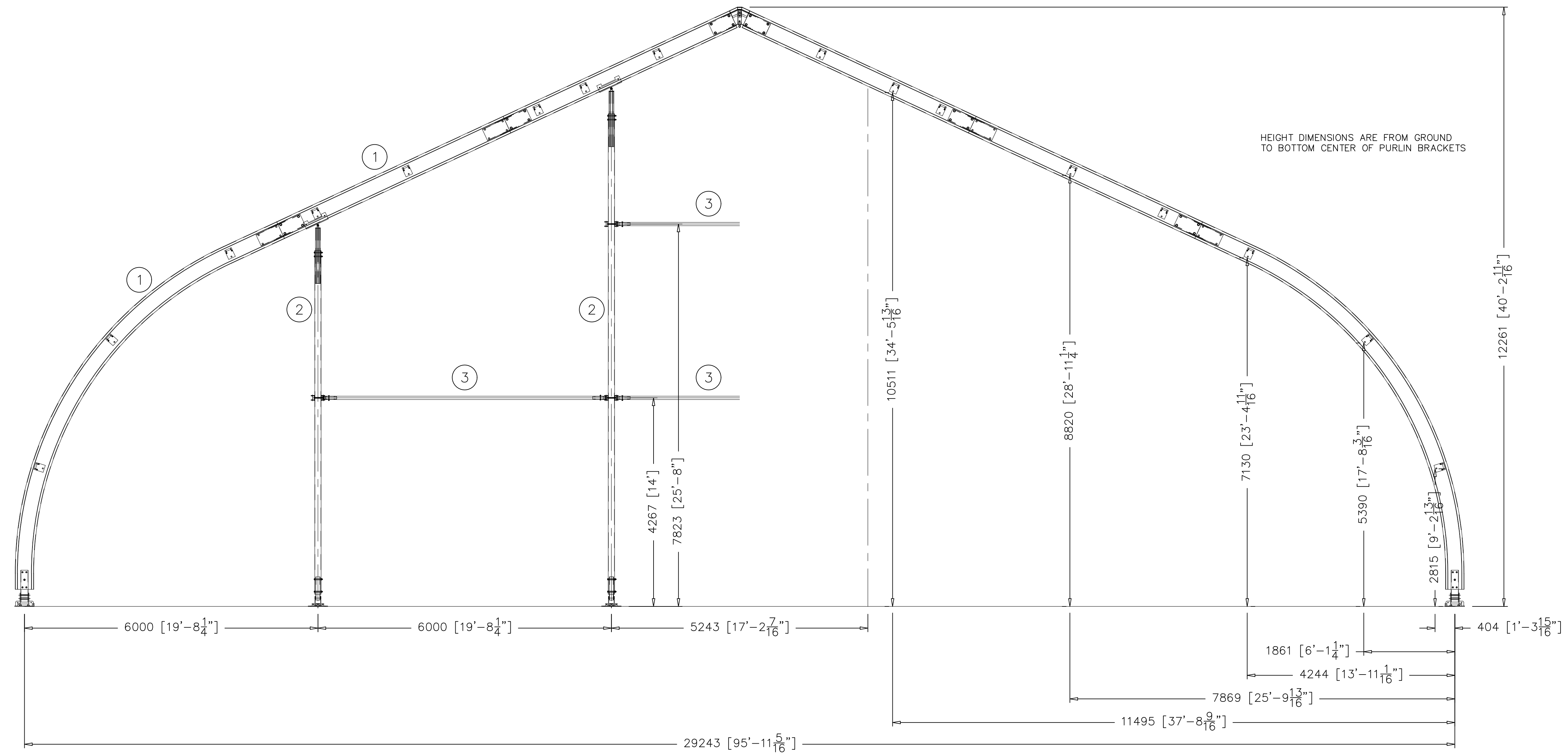
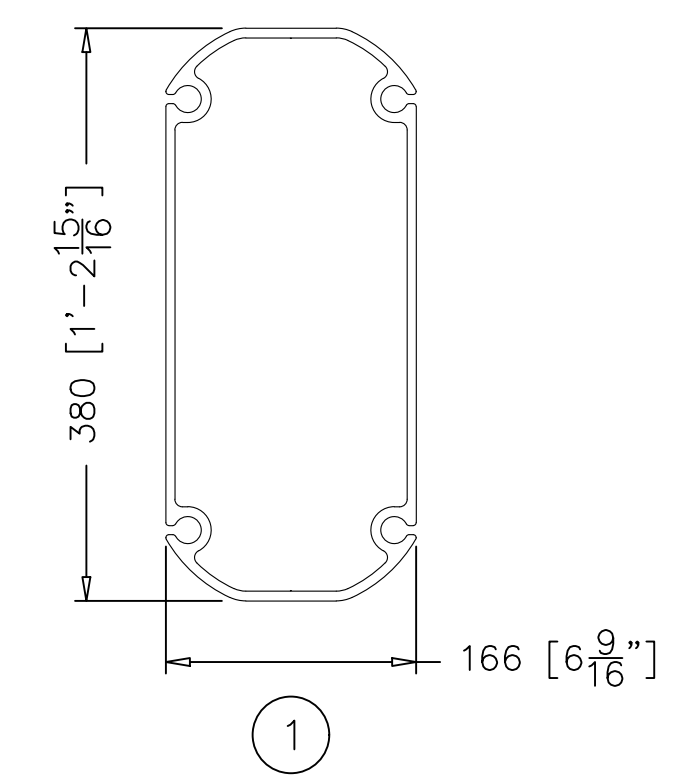
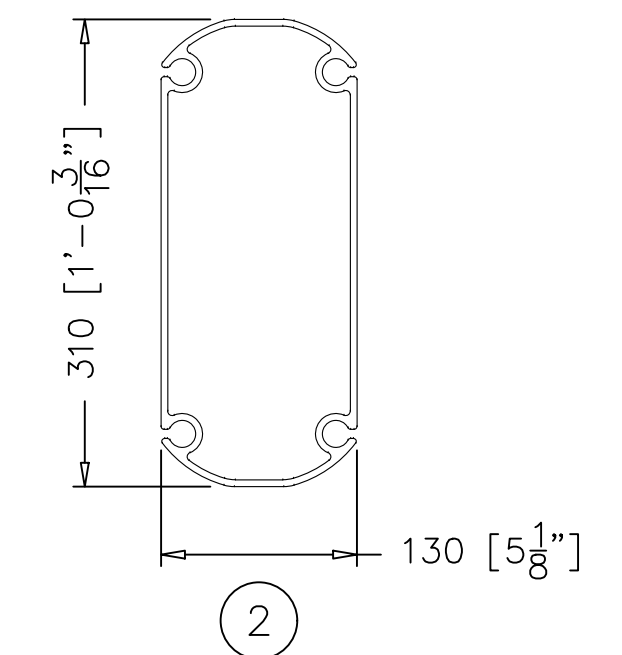
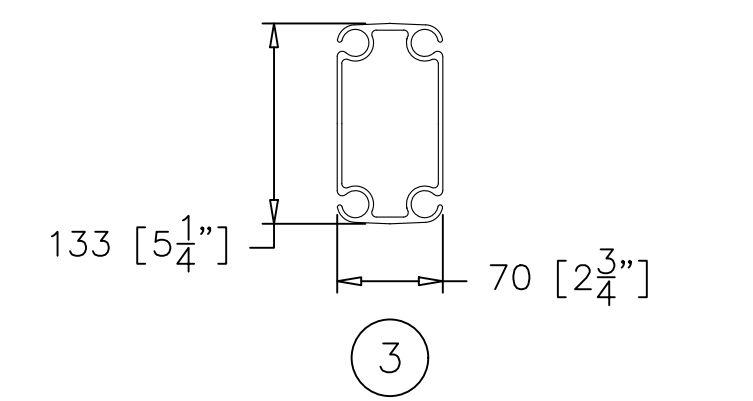


REV.	DATE	DESCRIPTION	NAME
0	21JUN2017	ORIGINAL RELEASE	SH



HEIGHT DIMENSIONS ARE FROM GROUND TO BOTTOM CENTER OF PURLIN BRACKETS



ALL EXTRUSIONS SHOWN ARE ALUMINUM 6061-T6

This drawing is the property of Allsite Structure Rental and needs to be treated as confidential. The drawing and the engineering information contained may not be reproduced in whole or in part, and may not be used in manufacturing or for design work, without the written approval from Allsite Structure Rental. Retention of this document shall constitute acceptance of these terms. If you were given this drawing or a copy without Allsite Structure Rental consent, please delete this drawing or contact Allsite Structure Rental.

ALLSITE STRUCTURE RENTAL				
5025 SCHUSTER STREET, LAS VEGAS, NV 89118 WWW.ALLSITESTRUCTURES.COM				
TITLE: TFS/R 29m GABLE VIEW				
DRAWN: KG	CHECKED: SH	DATE: 21JUN2017	REV.: 0	
SIZE D	SCALE N.T.S.	CUSTOMER/JOB:	DWG. NO. R380-29-GV	SHEET: 1 OF 1

8

7

6

5

4

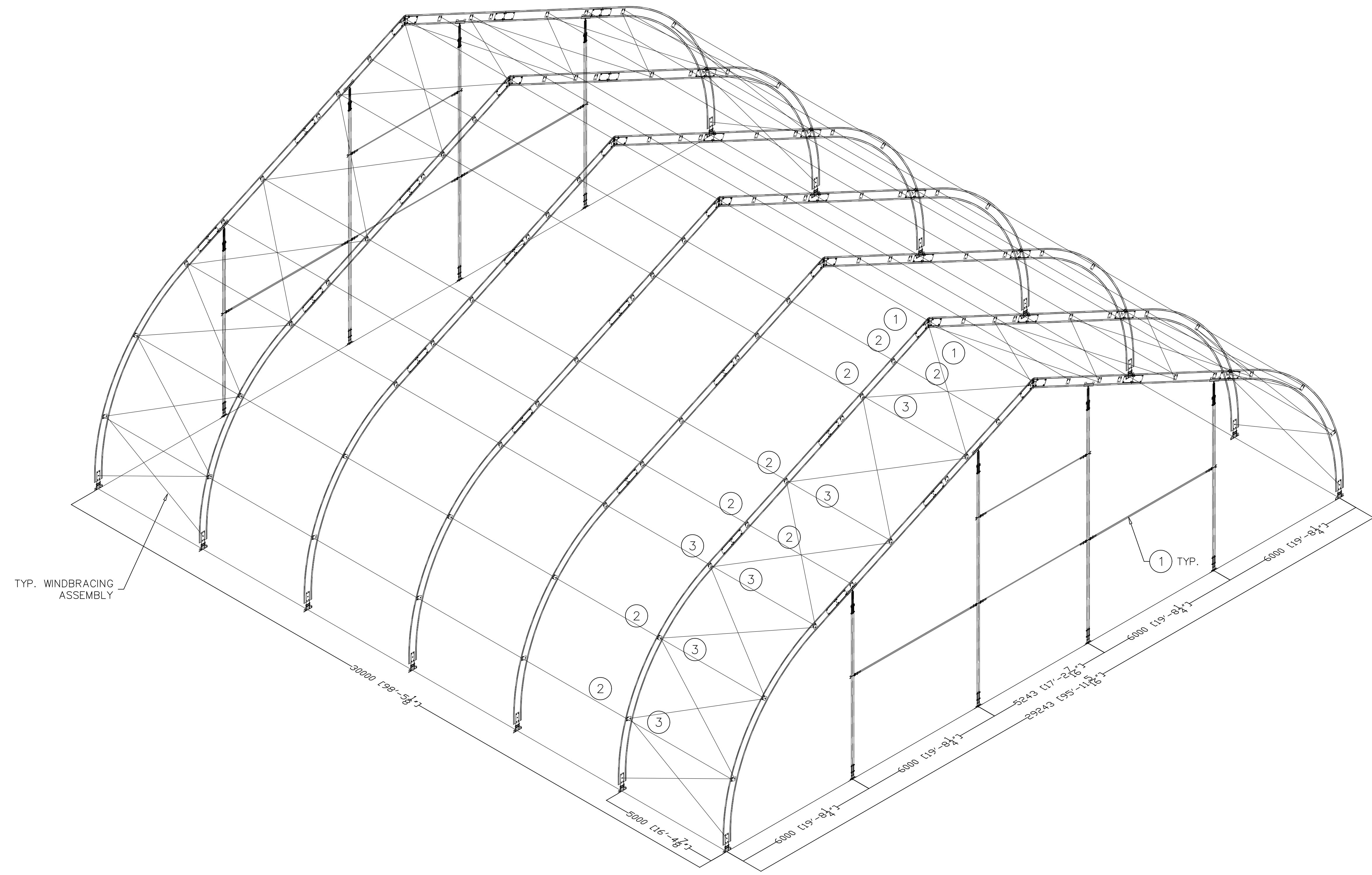
3

2

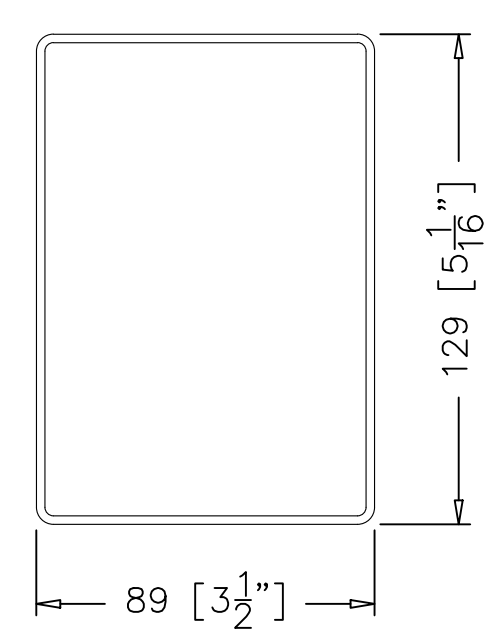
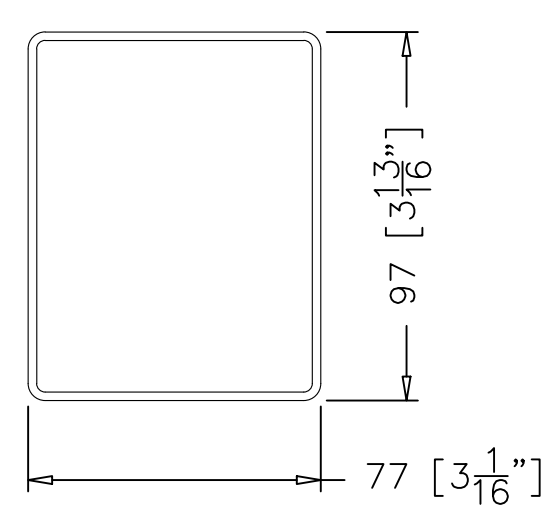
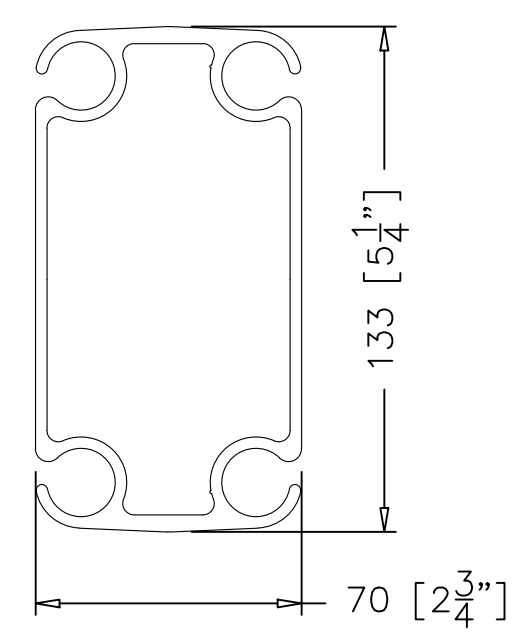
1

TYPICAL WINDBRACING ASSEMBLY:
 - $\phi 1/2"$ 6X19 CLASS STEEL CABLE, EIP IWRC
 - $7/8"$ X $12"$ GALVANIZED JAW & JAW TURNBUCKLE
 - $3/4"$ GALVANIZED SHACKLE

REV.	DATE	DESCRIPTION	NAME
0	21JUN2017	ORIGINAL RELEASE	SH



TYP. WINDBRACING ASSEMBLY



① ALL EXTRUSIONS SHOWN ARE ALUMINUM 6061-T6

②

③

This drawing is the property of Allsite Structure Rental and needs to be treated as confidential. The drawing and the engineering information contained may not be reproduced in whole or in part, and may not be used in manufacturing or for design work, without the written approval from Allsite Structure Rental. Retention of this document shall constitute acceptance of these terms. If you were given this drawing or a copy without Allsite Structure Rental consent, please delete this drawing or contact Allsite Structure Rental.

ALLSITE STRUCTURE RENTAL
 5025 SCHUSTER STREET, LAS VEGAS, NV 89118
 WWW.ALLSITESTRUCTURES.COM

TITLE: TFS/R - 29M x 30M ISO VIEW			
DRAWN: KG	CHECKED: SH	DATE: 21JUN2017	REV.: 0
SIZE: D	SCALE: N.T.S.	CUSTOMER/JOB: R380-29-ISO30	DWG. NO.: R380-29-ISO30
SHEET: 1 OF 1			

8

7

6

5

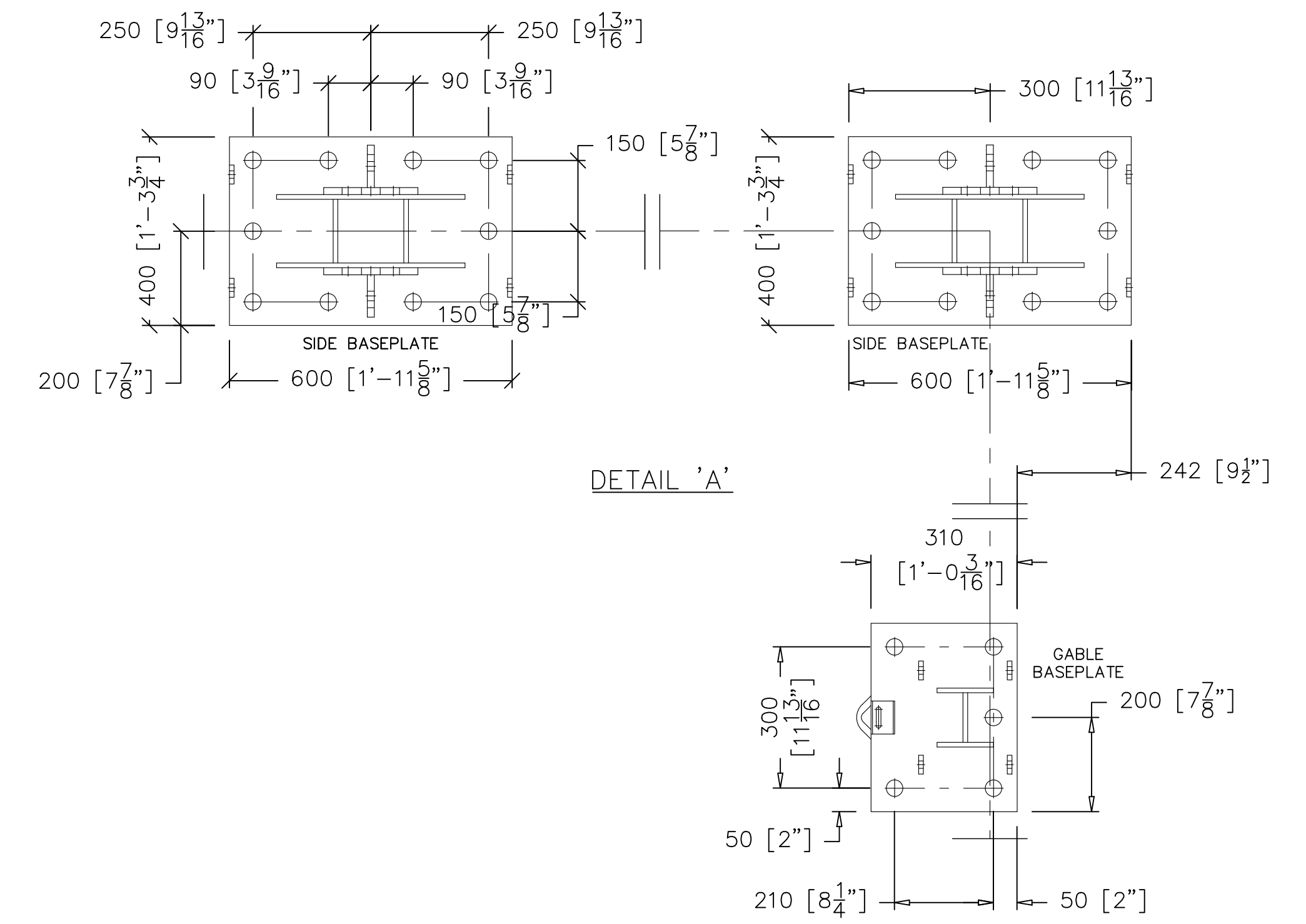
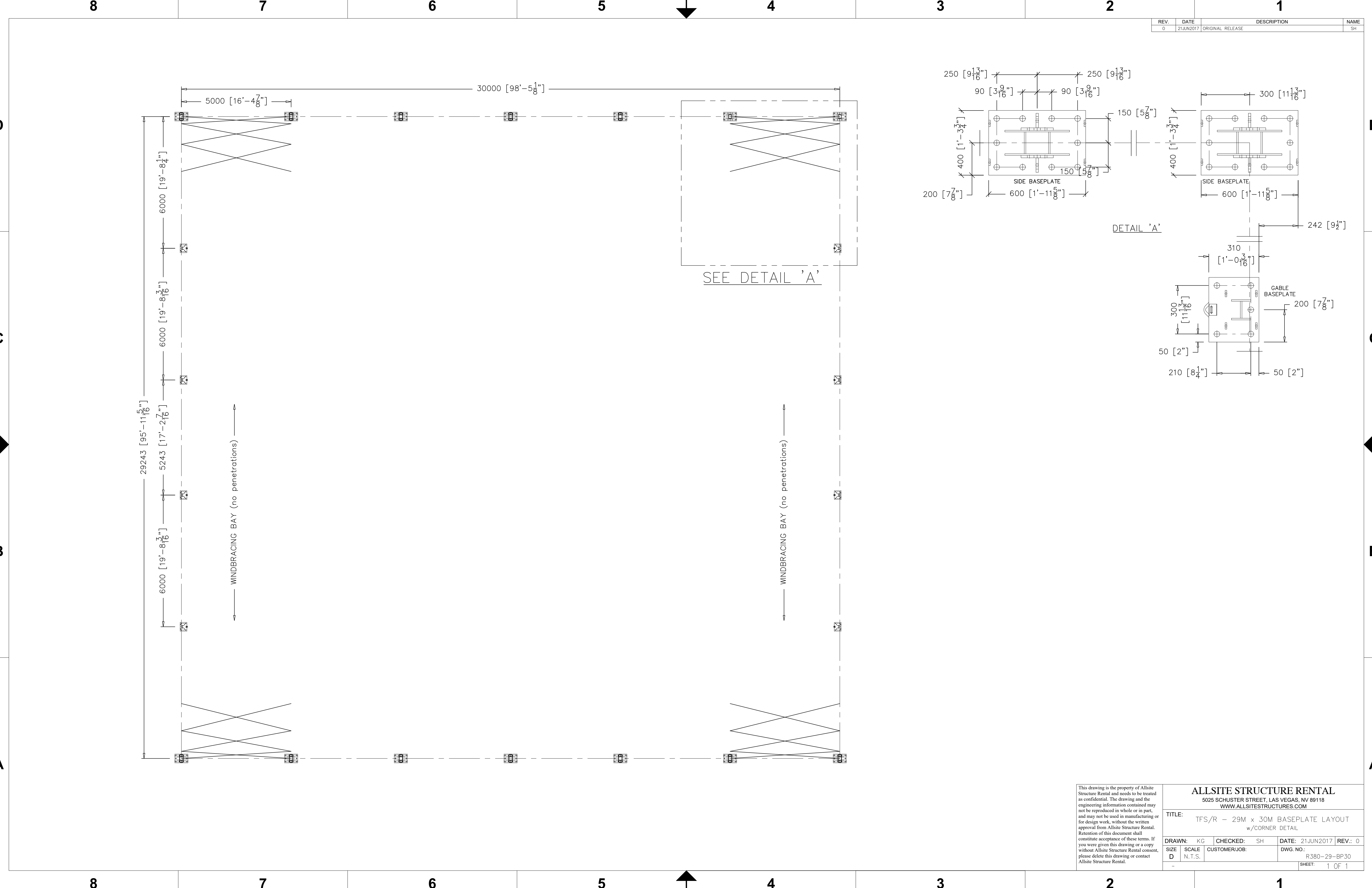
4

3

2

1

REV.	DATE	DESCRIPTION	NAME
0	21JUN2017	ORIGINAL RELEASE	SH



This drawing is the property of Allsite Structure Rental and needs to be treated as confidential. The drawing and the engineering information contained may not be reproduced in whole or in part, and may not be used in manufacturing or for design work, without the written approval from Allsite Structure Rental. Retention of this document shall constitute acceptance of these terms. If you were given this drawing or a copy without Allsite Structure Rental consent, please delete this drawing or contact Allsite Structure Rental.

ALLSITE STRUCTURE RENTAL
 5025 SCHUSTER STREET, LAS VEGAS, NV 89118
 WWW.ALLSITESTRUCTURES.COM

TITLE: TFS/R - 29M x 30M BASEPLATE LAYOUT w/CORNER DETAIL

DRAWN: KG	CHECKED: SH	DATE: 21JUN2017	REV.: 0
SIZE: D	SCALE: N.T.S.	CUSTOMER/JOB: R380-29-BP30	DWG. NO.: R380-29-BP30
			SHEET: 1 OF 1